

NAVAIR

INTERNATIONAL PVT. LTD.

Door Type	Steel Glazed Fire Door
Criteria	Stability & Integrity with partial insulation as per NBC Guideline
Rating	120 mins
Fire Glass Thickness	11/14mm (Interlayered FR Glass with Radiation Control as per NBC 2016)
Shutter Thickness	60 mm
Testing Standards	BS 476 Part 20 - 22
Test Laboratory	Certifire, Exova Warrington Fire Research Laboratory, United Kingdom / NABL Accredited Lab as Per ISO/IEC 17025 Standard

CONSTRUCTION DETAILS



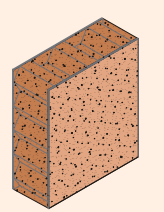
Detail Description

- 1 Steel frame Profile Design - NSF6070
- 2 Frame manufactured with 1.6mm Galvanised Steel (Zinc Coating not Less Than 120gm/m²)
- 3 Shutter Thickness - 60mm
- 4 Shutter Infill insulation - Mineral wool Infill Density 96 KG/m³ treated with VIPER FRS 881 LH
- 5 Shutter manufactured with 1.6mm Galvanised Steel (Zinc Coating not Less Than 120gm/m²)
- 6 Tested with Minimum 11mm Thick Interlayered Glass with 20 min. Insulation (Ei20) As per NBC 2016 and 120 min Radiation Control (EW120)
- 7 Tested with Top & Side Light Panels for 120 minutes rating with Saint Gobain 14mm thick Saint Gobain Contraflam Lite Fire Rated Toughened Glass

Recommended Finishes

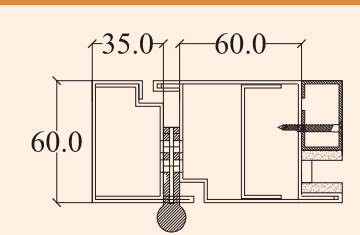
- 1 **Frame & Shutter**
 - 1.1 Powder Coating in desired RAL Shade Code
 - 1.2 Polyurethane Coating in desired RAL Shade Code
 - 1.3 Selective Wood Grain Finishes available

INNER FILLING



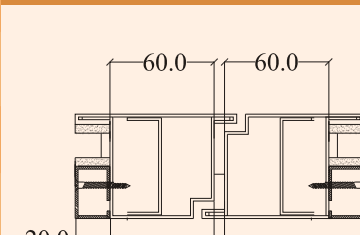
WOOL INSULATION

FRAME SECTION

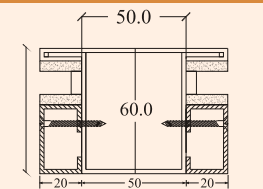


DOOR SIDE SHUTTER AND FRAME

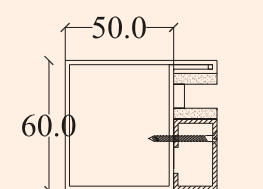
DOOR MEETING STILL



SECTIONAL DETAILS OF MULLION MEMBER FOR FIXED PARTITION

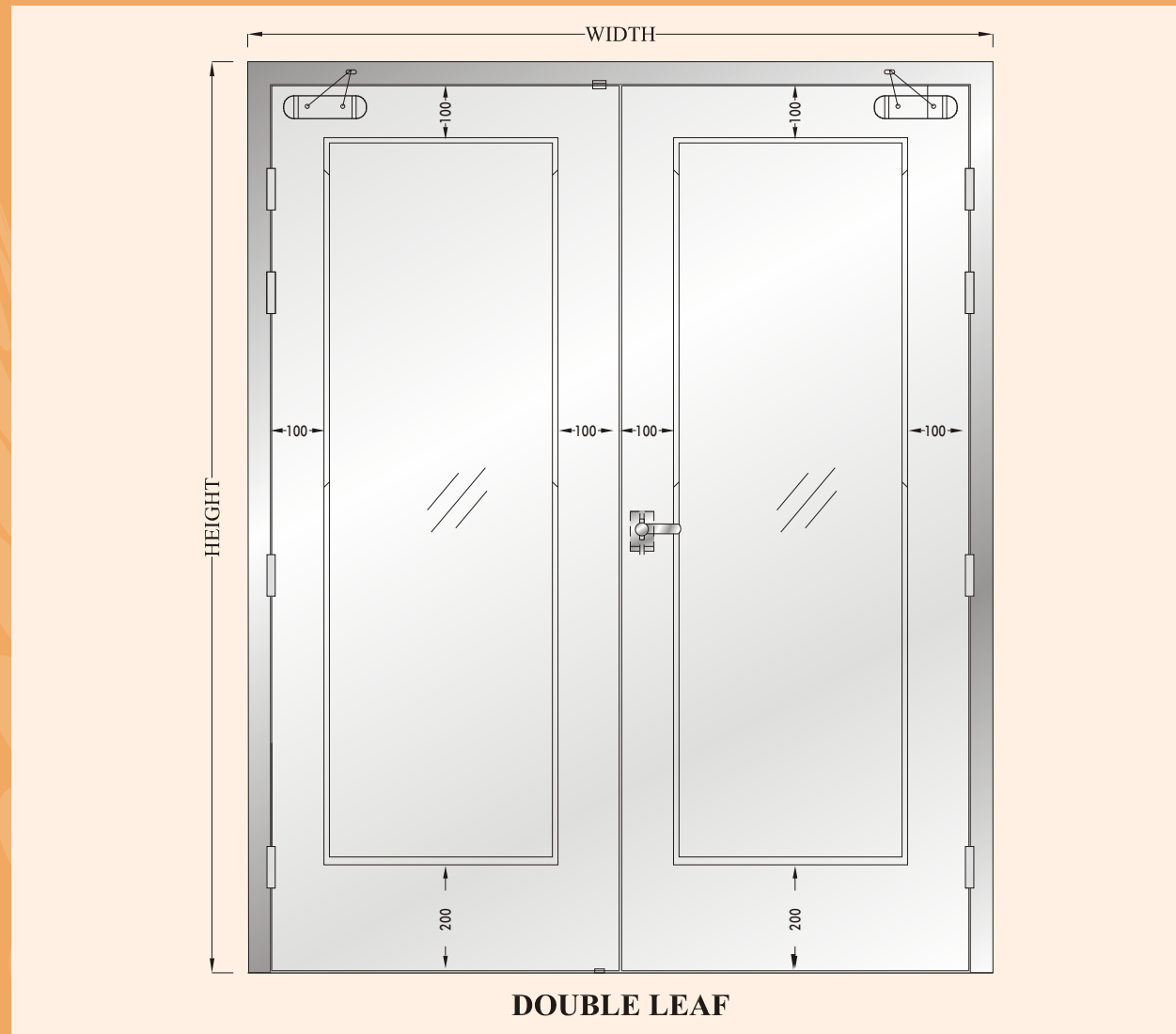


SECTIONAL DETAILS OF FIXED PARTITION



*The Above sketches are only indicative, actual products may vary.





Door Type	Steel Fire Rated Glazed Door
Criteria	Stability & Integrity with Infill insulation material
Rating	120 mins
Fire Glass Thickness	11 mm (Interlayered with Radiation Control as per NBC 2016)
Shutter Thickness	46 mm
Testing Standards	BS 476 Part 20 - 22, IS 3614 Part 2
Test Laboratory	CBRI Roorkee, India

CONSTRUCTION DETAILS

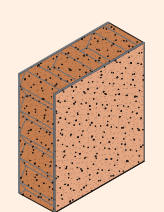
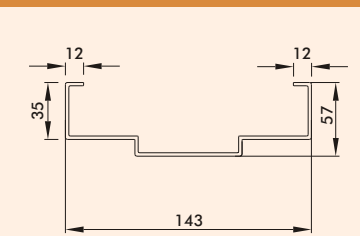
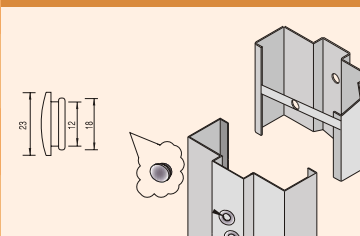
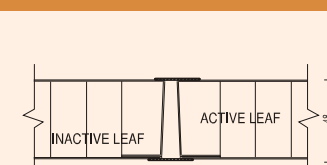
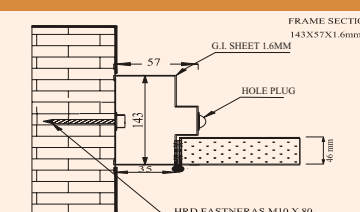
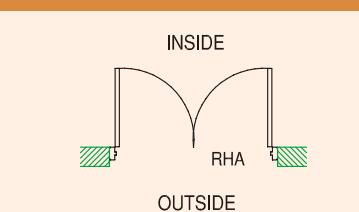
Detail Description

- 1 Steel frame Profile Design - NDRF 143 x 57
- 2 Frame manufactured with 1.6mm Galvanised Steel
- 3 Shutter Thickness - 46mm
- 4 Shutter infill insulation - Wool insulation infill treated with VIPER FRS 881 LH
- 5 Shutter manufactured with 1.2mm Galvanised Steel
- 6 Tested with Vision Panel for 120 minutes rating with Saint Gobain make Fire Rated Toughened Glass

Recommended Finishes

Frame & Shutter

- 1.1 Powder Coating in desired RAL Shade Code
- 1.2 Polyurethane Coating in desired RAL Shade Code
- 1.3 Selective Wood Grain Finishes available

<p>INNER FILLING</p>  <p>WOOL INSULATION</p>	<p>FRAME SECTION</p>  <p>NDRF 143 x 57</p>	<p>ANCHOR COVER</p> 
<p>ASTRAGEL DETAIL</p> 	<p>TYPICAL DETAIL OF JAMB</p> 	<p>ANCHOR TYPE</p> 

*The Above sketches are only indicative, actual products may vary.





Indian Green Building Council




केंद्रीय भवन अनुसंधान संस्थान, रुद्रकी
CENTRAL BUILDING RESEARCH INSTITUTE, ROORKEE
(A Constituent Establishment of CSIR)




Corporate Office:

Navair International Pvt. Ltd.

59/17 Guru Ravidas Marg, 2nd Floor, Kalkaji Extn, New Delhi

 +91-11-46865000

 marketing@navairindia.com
info@navairindia.com



Website: www.navairindia.com