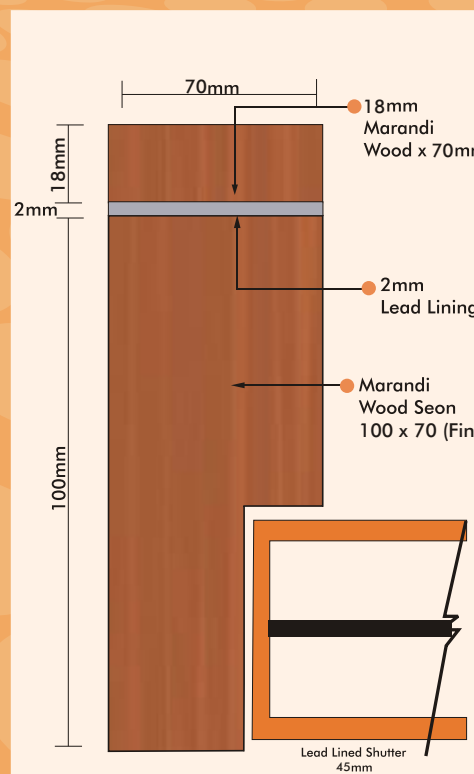
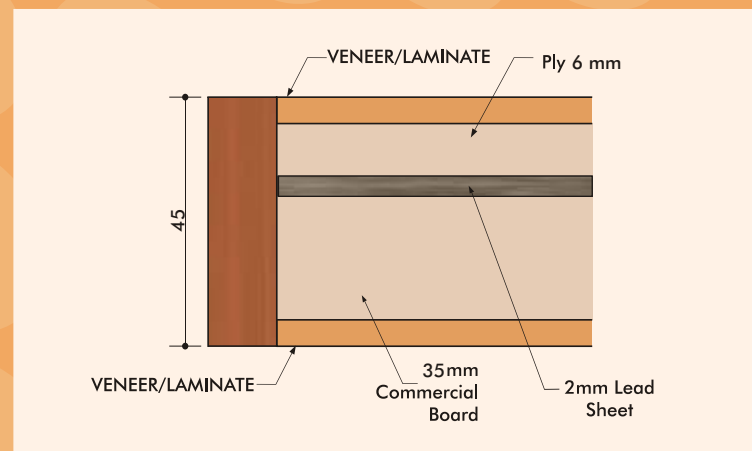
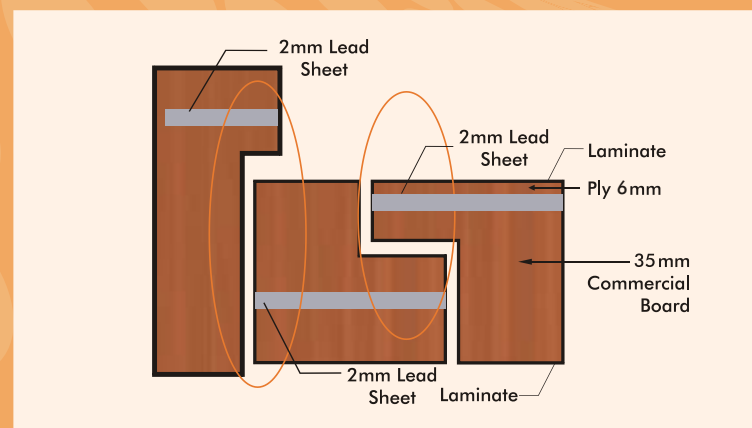
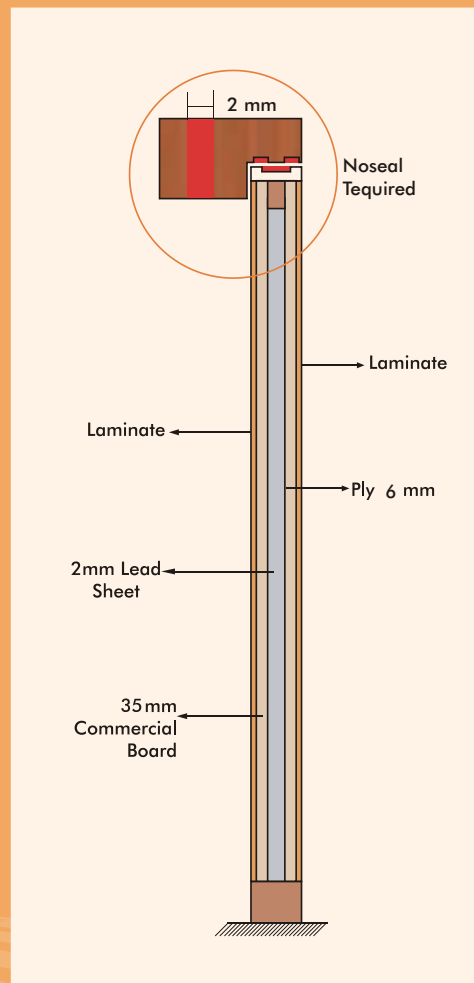


NAVAIR

INTERNATIONAL PVT. LTD.



Door Type	Wooden Lead Lined Door
Criteria	Nuclear / Radiation Protected
Rating	90% Blockage of Radiation
Shutter Thickness	43 mm to 45mm
Standards	AERB / DRS
Application	Radiology & Nuclear Medicine

CONSTRUCTION DETAILS

Detail Description

- 1 Frame Manufactured out of Hardwood Mirandi / Teakwood of nominal section 120mm x 70mm with 2mm sandwiched Lead Sheet
- 2 2mm ($\pm 1\%$) Lead sheet with 99% purity
- 3 Total Door Shutter thickness with Commercial Ply on both side & Board will have 43mm thickness (with additional laminate shutter thickness will be 45mm)
- 4 Vision Panel if required shall be of lead glass only

Recommended Hardware

- 1 Stainless Steel Ball Bearing Hinges - Size 100 x 89 x 3mm
- 2 Door Closer - Heavy duty only for 80 kg weight capacity
- 3 Door coordinator recommended
- 4 Exposed Tower bolt
- 5 Mortise Sash Lock with half cylinder, estucheon, lever handle - Complete Set for Push / Pull operation
- 6 Mortise Dead Lock Set with Half Cylinder and estucheon - Complete Set with D Shape Pull Handle pull side & push plate SS 304 Grade on push side
- 7 Weight of door shutter will be 40 kg/sqm

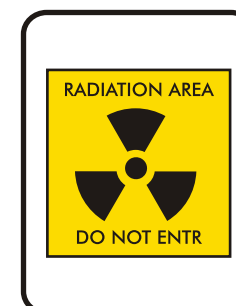
Optional Hardware

- 1 Automatic DROP DOWN DOOR BOTTOM Non Mortised / Surface Mounted
- 2 Optional Lead Lined door sill to cover the gap between finished floor and door shutter
- 3 Lead Lined architrave to be used

Recommended Finishes

- 1 **Frame:**
 - 1.1 Primer and Paint finish
 - 1.2 Teakwood: Polish finish
- 2 **Door Shutter:**
 - 2.1 One side laminate / veneer and one side painting with VIPER
 - 2.2 Both Sides Laminate / Veneer

*NOTE: Due to continuous up gradation, spec may vary time to time as per consultation of enduser.



*The Above sketches are only indicative, actual products may vary.



Indian Green Building Council



केंद्रीय भवन अनुसंधान संस्थान, रुद्रकी
CENTRAL BUILDING RESEARCH INSTITUTE, ROORKEE
(A Constituent Establishment of CSIR)



Corporate Office:

Navair International Pvt. Ltd.

59/17 Guru Ravidas Marg, 2nd Floor, Kalkaji Extn, New Delhi



+91-11-46865000



marketing@navairindia.com
info@navairindia.com



Website: www.navairindia.com