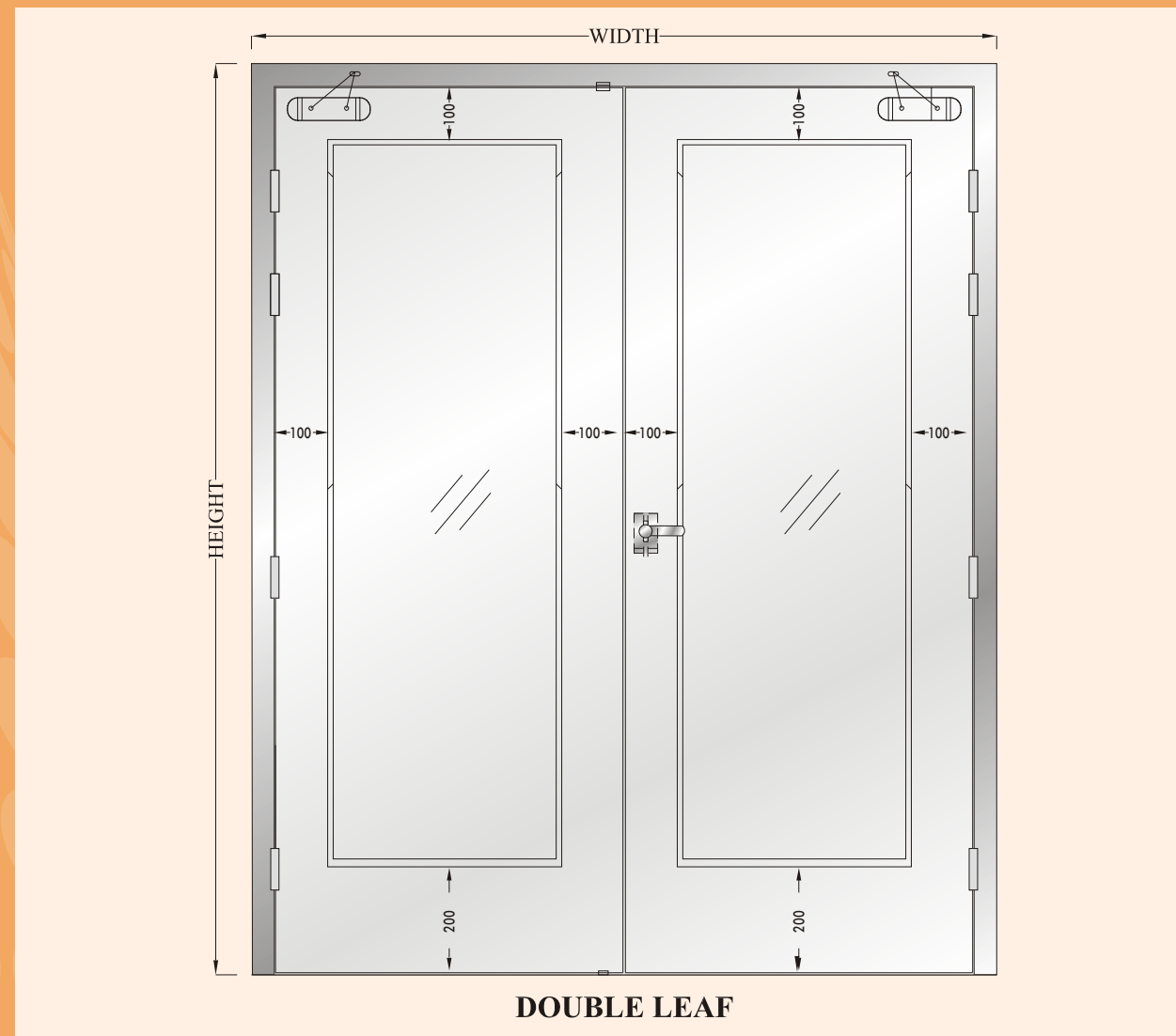


NAVAIR

INTERNATIONAL PVT. LTD.



Door Type	Steel Fire Rated Glazed Door
Criteria	Stability & Integrity with Insulation Material
Rating	60 mins
Fire Glass Thickness	6 mm Monolithic Toughened FR Glass
Shutter Thickness	50 mm
Testing Standards	BS 476 Part 20 - 22, IS 3614 Part 2
Test Laboratory	Thomas Bell - Wright (Dubai)

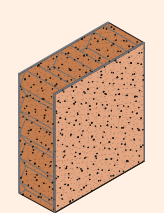
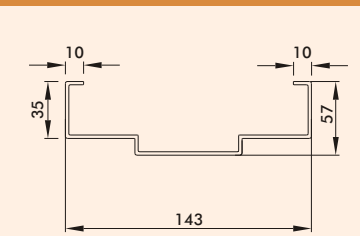
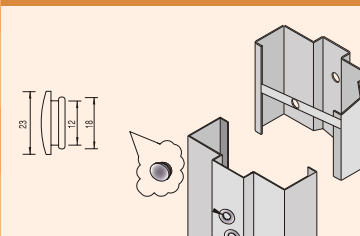
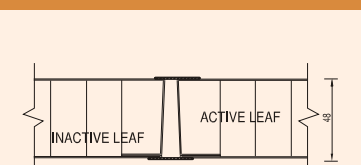
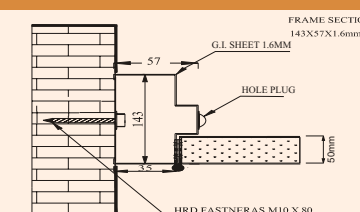
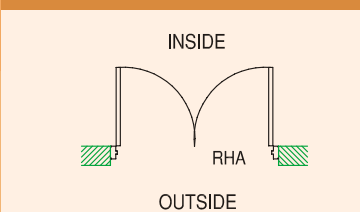
CONSTRUCTION DETAILS

Detail Description

- 1 Steel frame Profile Design - NDRF 143 x 57
- 2 Frame manufactured with 1.6mm Galvanised Steel
- 3 Shutter Thickness - 50mm
- 4 Shutter infill insulation - Wool insulation infill treated with VIPER FRS 881 LH
- 5 Shutter manufactured with 1.6mm Galvanised Steel
- 6 Tested with Vision Panel for 60 minutes rating Fire Rated Toughened Glass

Recommended Finishes

- 1 **Frame & Shutter**
 - 1.1 Powder Coating in desired RAL Shade Code
 - 1.2 Polyurethane Coating in desired RAL Shade Code
 - 1.3 Selective Wood Grain Finishes available

<p>INNER FILLING</p>  <p>WOOL INSULATION</p>	<p>FRAME SECTION</p>  <p>NDRF 143 x 57</p>	<p>ANCHOR COVER</p> 
<p>ASTRAGEL DETAIL</p> 	<p>TYPICAL DETAIL OF JAMB</p> 	<p>ANCHOR TYPE</p> 

*The Above sketches are only indicative, actual products may vary.





Indian Green Building Council



केंद्रीय भवन अनुसंधान संस्थान, रुद्रकी
CENTRAL BUILDING RESEARCH INSTITUTE, ROORKEE
(A Constituent Establishment of CSIR)



Corporate Office:

Navair International Pvt. Ltd.

59/17 Guru Ravidas Marg, 2nd Floor, Kalkaji Extn, New Delhi



+91-11-46865000



marketing@navairindia.com
info@navairindia.com



Website: www.navairindia.com