

Door Type	Steel Fire Rated Glazed Door
Criteria	Stability & Integrity with Infill insulation material
Rating	120 mins
Fire Glass Thickness	11 mm (Interlayered with Radiation Control as per NBC 2016)
Shutter Thickness	46 mm
Testing Standards	BS 476 Part 20 - 22, IS 3614 Part 2
Test Laboratory	CBRI Roorkee, India

## CONSTRUCTION DETAILS

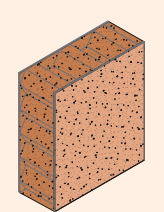
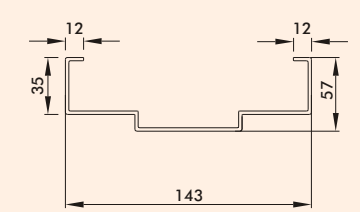
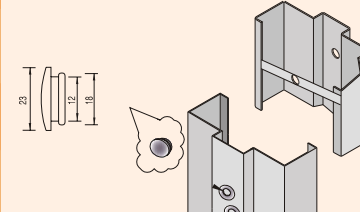
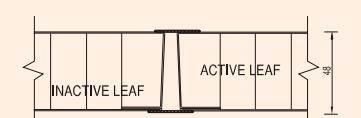
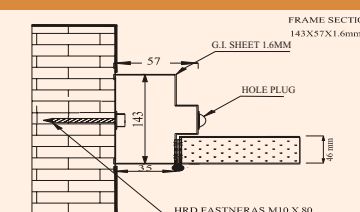
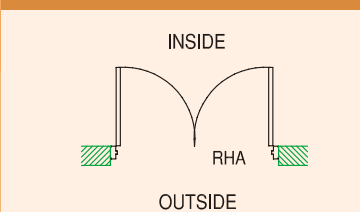
### Detail Description

- 1 Steel frame Profile Design - NDRF 143 x 57
- 2 Frame manufactured with 1.6mm Galvanised Steel
- 3 Shutter Thickness - 46mm
- 4 Shutter infill insulation - Wool insulation infill treated with VIPER FRS 881 LH
- 5 Shutter manufactured with 1.2mm Galvanised Steel
- 6 Tested with Vision Panel for 120 minutes rating with Saint Gobain make Fire Rated Toughened Glass

### Recommended Finishes

#### Frame & Shutter

- 1.1 Powder Coating in desired RAL Shade Code
- 1.2 Polyurethane Coating in desired RAL Shade Code
- 1.3 Selective Wood Grain Finishes available

<p><b>INNER FILLING</b></p>  <p>WOOL INSULATION</p>	<p><b>FRAME SECTION</b></p>  <p>NDRF 143 x 57</p>	<p><b>ANCHOR COVER</b></p> 
<p><b>ASTRAGEL DETAIL</b></p> 	<p><b>TYPICAL DETAIL OF JAMB</b></p> 	<p><b>ANCHOR TYPE</b></p> 

\*The Above sketches are only indicative, actual products may vary.

