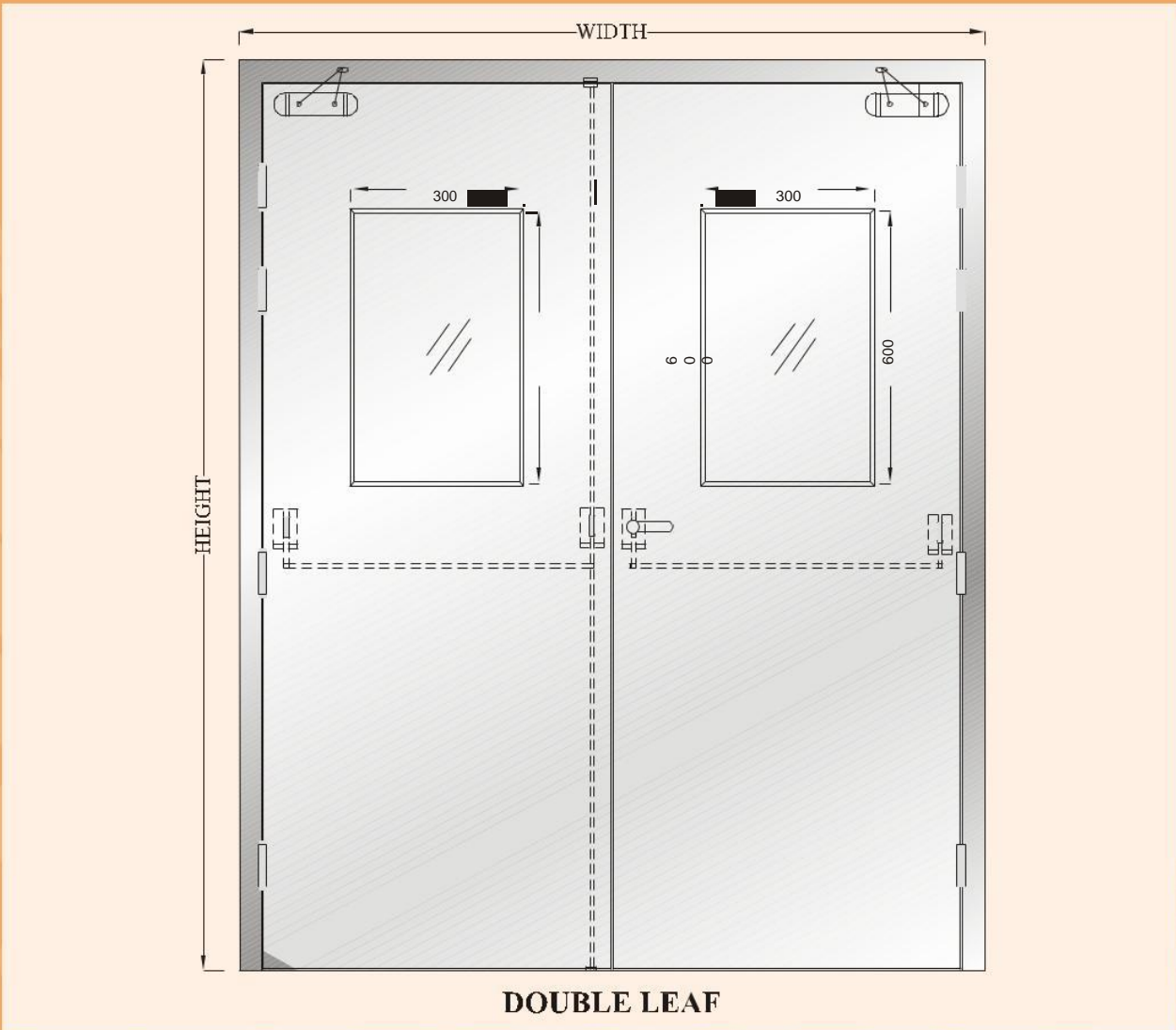


Door Type	Steel Fire Rated Door
Criteria	Stability & Integrity with Infill Insulation Material
Rating	120 mins
Shutter Thickness	49 mm
Testing Standards	BS 476 Part 20 - 22, IS 3614 Part 2
Test Laboratory	CBRI Roorkee, India

CONSTRUCTION DETAILS



Detail Description

- 1 Steel frame Profile Design - NDRF 154 x 77
- 2 Frame manufactured with 1.5mm Galvanised Steel
- 3 Shutter Thickness - 49mm
- 4 Shutter Honey Comb / Wool Insulation Infill treated with VIPER FRS 881 LH
- 5 Shutter manufactured with 1.0mm Galvanised Steel
- 6 Tested with Vision Panel for 120 minutes rating

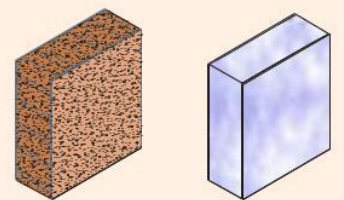
Note: Navair is having steel frame door 2300 x 2800mm Height (Tested)

Recommended Finish

Frame & Shutter

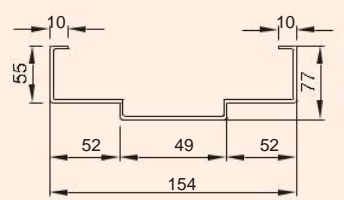
- 1.1 Powder Coating in desired RAL Shade Code
- 1.2 Polyurethane Coating in desired RAL Shade Code
- 1.3 Selective Wood Grain Finishes available

INNER FILLING



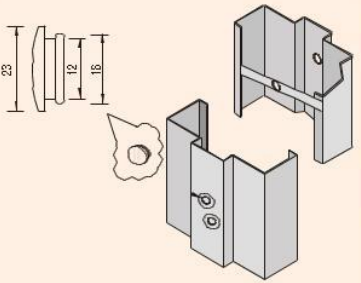
WOOL INSULATION MINERAL WOOL

FRAME SECTION

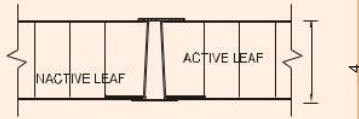


DOUBLE REBATE 1.5MM STEEL FRAME

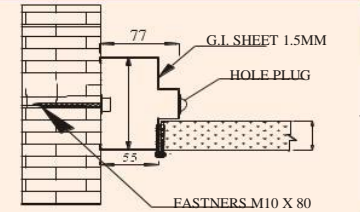
ANCHOR COVER



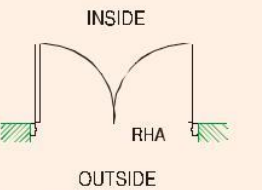
ASTRAGEL DETAIL



TYPICAL DETAIL OF JAMB



DOOR HANDING

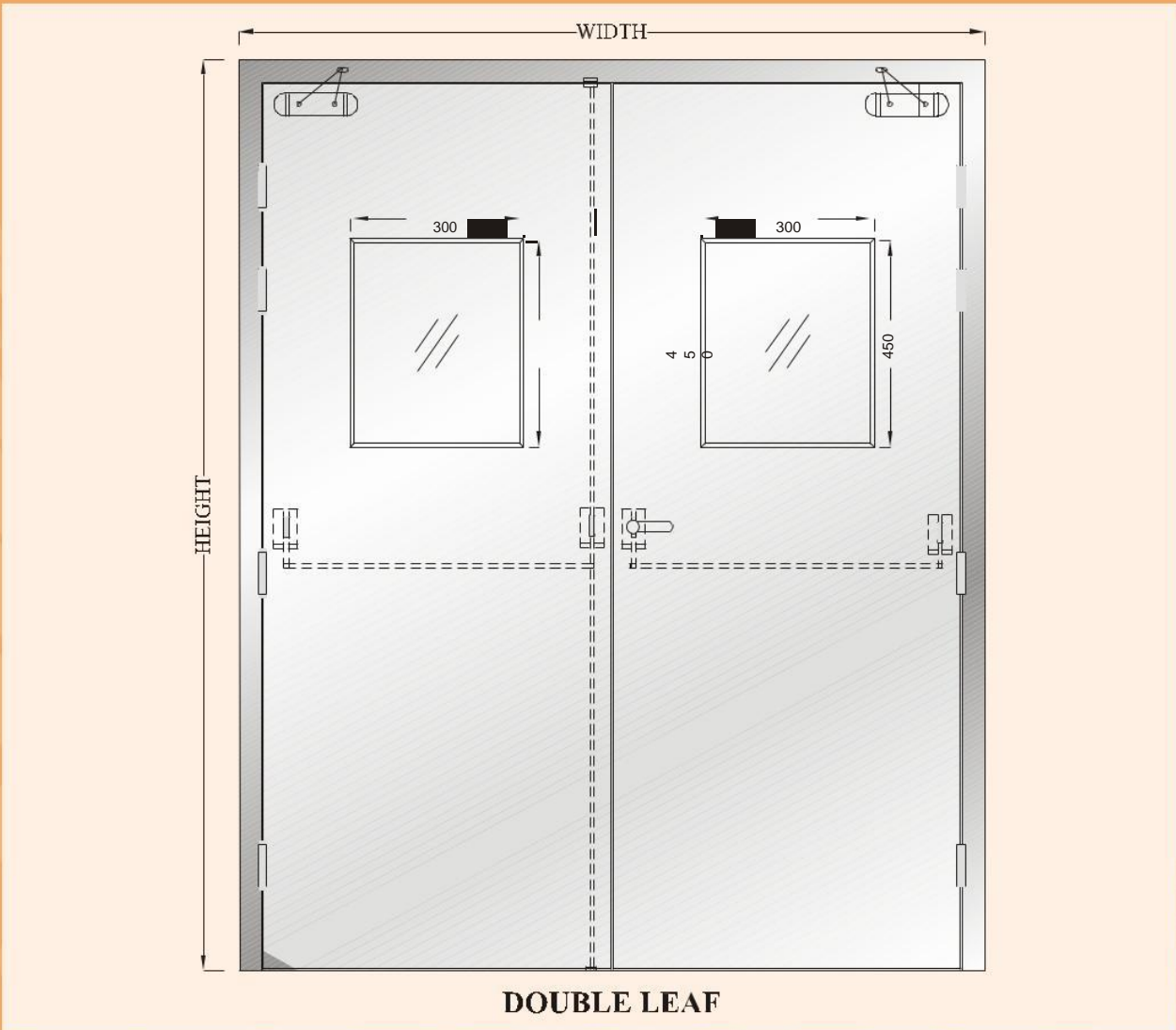


*The Above sketches are only indicative, actual products may vary.



Door Type	Steel Fire Rated Door
Criteria	Stability & Integrity with Infill Insulation Material
Rating	120 mints
Shutter Thickness	46 mm
Testing Standards	BS 476 Part 20 - 22, IS 3614 Part 2
Test Laboratory	CBRI Roorkee, India

CONSTRUCTION DETAILS



Detail Description

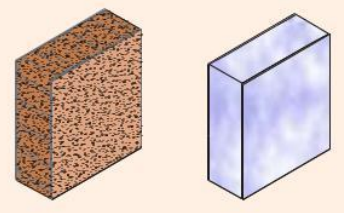
- 1 Steel frame Profile Design - NDRF 100 x 57mm
- 2 Frame manufactured with 1.2mm Galvanised Steel
- 3 Shutter Thickness - 46mm
- 4 Shutter Honey Comb / Wool Insulation Infill treated with VIPER FRS 881 LH
- 5 Shutter manufactured with 0.8mm Galvanised Steel
- 6 Tested with Vision Panel for 120 minutes Fire Rated

Recommended Finish

Frame & Shutter

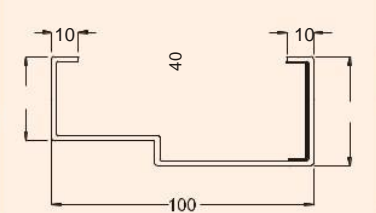
- 1.1 Powder Coating in desired RAL Shade Code
- 1.2 Polyurethane Coating in desired RAL Shade Code
- 1.3 Selective Wood Grain Finishes available

INNER FILLING

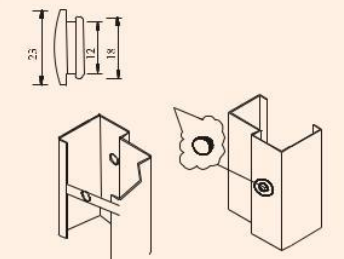


WOOL INSULATION MINERAL WOOL

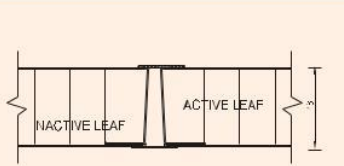
FRAME SECTION



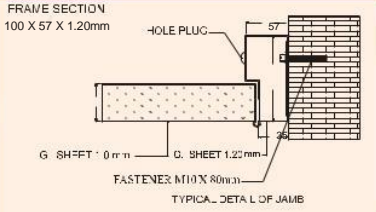
ANCHOR COVER



ASTRAGEL DETAIL

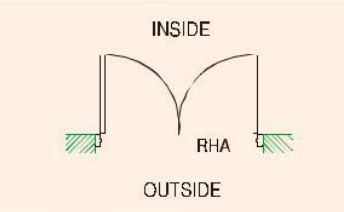


FRAME & SHUTTER SECTION



TYPICAL DETAIL OF JAMB

DOOR HANDING



*The Above sketches are only indicative, actual products may vary.

